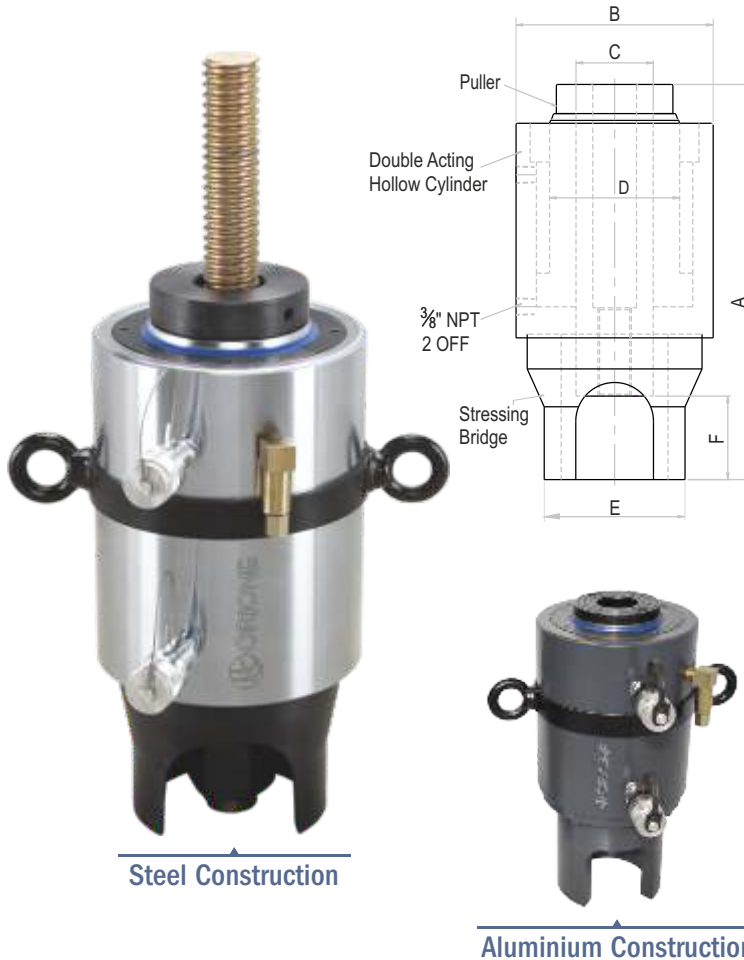


OBS

Bar Stressing Jacks



Capacity 80 - 400 ton | Stroke 100 mm



Features / Application

- Used with high tensile threaded bars for stressing, pulling & locking
- Short strokes for lifting / aligning of segments & temporary stressing
- Long strokes for pulling & locking multiple strands of concrete structure with tension bar attached to the pulling bracket
- Customised Alloy Aluminium Bar Jacks - 60, 150, 160, 200 & 300 ton
- Designed to suit stressing bars of reputed makes of Macalloy, VSL, Freyssinet, Dextra, Tensacciai, Dywidag, Williams & others
- Safety Pressure Relief valve in return line

OBS Series - O Orione B Bar S Stressing 80 Capacity - ton 100 Stroke - mm

| Capacity (ton) | Capacity (kN) | Stroke (mm) | Model | Max. bar dia. (mm) | Effective area (cm ²) | Oil cap. (cc) | A Closed height (mm) | B Cylinder OD (mm) | C C'hole dia. (mm) | D Ram dia. (mm) | E Stool dia. (mm) | F Puller height (mm) | Wt. (Approx.) (kg) |
|----------------|---------------|-------------|-------------|--------------------|-----------------------------------|---------------|----------------------|--------------------|--------------------|-----------------|-------------------|----------------------|--------------------|
| 80 | 846 | 100 | OBS 80-100 | 32 | 130.2 | 1302 | 427 | 205 | 80 | 130 | 160 | 76 | 70 |
| 120 | 1285 | 100 | OBS 120-100 | 40 | 183.6 | 1840 | 530 | 230 | 81 | 140 | 180 | 100 | 97 |
| 180 | 1853 | 100 | OBS 180-100 | 50 | 285.0 | 2850 | 486 | 280 | 91 | 160 | 200 | 91 | 151 |
| 400 | 4082 | 100 | OBS 400-100 | 75 | 742.2 | 7422 | 690 | 400 | 100 | 250 | 390 | - | 433 |



Power Pack Specification

| Power pack Model | Pump Stage | Motor (HP / Phase) | Filling capacity (liters) | Pump flow (l/min) | Max. working pressure (bar) | Weight (Approx.) (kg.) | Operation |
|------------------|------------|--------------------|---------------------------|-------------------|-----------------------------|------------------------|---------------------|
| OPU00308 | Single | 3 / Three | 40 | 1.5 | 700 | 118 | Manual (Rotary DCV) |

- Higher capacity & customized solutions on request.
- Specifications are subject to change due to continual improvement.
- Capacity & Stroke specified are maximum safe limits. As safe practice, use at 80% of rating.