

# OSF



## Flat Jacks - Plain Ram, Single Acting (Type - Spring Return)

Capacity 5 - 200 ton | Stroke 8 - 16 mm | Max. Working Pressure 700 bar



Lifting Handle provided for 100 ton & beyond



(Spacer for increased Closed Height)

**Customised**



### Features / Application

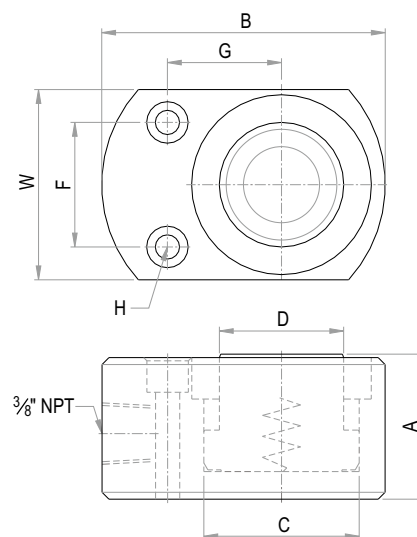
- Compact & flat design ideally suited where clearance is minimum for insertion of jack
- Mounting holes for easy fixturing
- Stacking plate to increase closed height is optional
- Heavy equipment lifting, alignment & clamping
- **Ensure no gap between jack & load to be lifted, to utilize full stroke**



### Caution

Jack being compact, provide leveled & solid support for entire base area & top.

Model	Mounting Hole Location (mm)		
	F	G	Thru Hole H
OSF 5-8	28	25	5.5
OSF 10-12	36	35	7
OSF 20-12	50	40	8.5
OSF 30-12	55	45	10.5
OSF 50-16	75	55	11
OSF 75-16	85	70	13
OSF 100-16	90	80	13
OSF 150-16	110	95	13
OSF 200-16	130	105	17



**Note:** OSF 5-8 has port 1/4" NPT  
Hose 1/2 m length with end fittings provided

### OSF Series - 0 Orione S Single acting Spring return F Flat Jack 5 Capacity - ton 8 Stroke - mm

Rated capacity (ton)	Capacity @ 700 bar (kN)	Stroke (mm)	Model	Effective area (cm <sup>2</sup> )	Oil cap. (cc)	A Closed height (mm)	B Cylinder OD (mm)	C Bore dia. (mm)	D Ram dia. (mm)	W A/F (mm)	Wt. (Approx.) (kg)
5	56	8	OSF 5-8	8.0	6	35	60	32	20	45	0.6
10	111	12	OSF 10-12	15.9	19	45	80	45	35	60	1.3
20	218	12	OSF 20-12	31.2	37	55	100	63	50	80	2.6
30	309	12	OSF 30-12	44.2	53	60	115	75	60	95	3.8
50	550	16	OSF 50-16	78.5	126	65	140	100	70	120	6.2
75	792	16	OSF 75-16	113.1	180	80	175	120	85	145	11.8
100	1077	16	OSF 100-16	153.9	247	85	190	140	100	165	15.1
150	1589	16	OSF 150-16	227.0	363	100	230	170	120	205	27
200	1985	16	OSF 200-16	283.5	454	115	265	190	140	230	40.7

- Higher capacity and customized solutions on request.
- Specifications are subject to change due to continual improvement.
- Capacity and Stroke specified are maximum safe limits. Use at 80% of rating as safe practice.