

Accessories

Working Pressure 700 bar

Pressure Gauge and Gauge Accessories

Gauge	Dial	Pressure range	Connection
OG	1 - 63	07 - 700 bar 10 - 1000 bar	01 - 1/4" BSP (M) 03 - 1/4" NPT (M)
	2 - 100	07 - 700 bar 10 - 1000 bar 18 - 1800 bar	01 - 1/4" BSP (M) 09 - 1/2" BSP (M) 03 - 1/4" NPT (M) 11 - 1/2" NPT (M)



Gauge adaptor	Gauge port	Connection	
		Male end	Female end
OGA (Straight)	03 - 1/4" NPT	03 - 1/4" NPT	08 - 3/8" NPT
	11 - 1/2" NPT	07 - 3/8" NPT	
OGP (Short - Straight)	02 - 1/4" BSP	07 - 3/8" NPT	-
OGT (Taper)	03 - 1/4" NPT	03 - 1/4" NPT	08 - 3/8" NPT
	11 - 1/2" NPT	07 - 3/8" NPT	
OGS (Stand pipe)	03 - 1/4" NPT	01 - 1/4" BSP	-
	11 - 1/2" NPT	07 - 3/8" NPT	

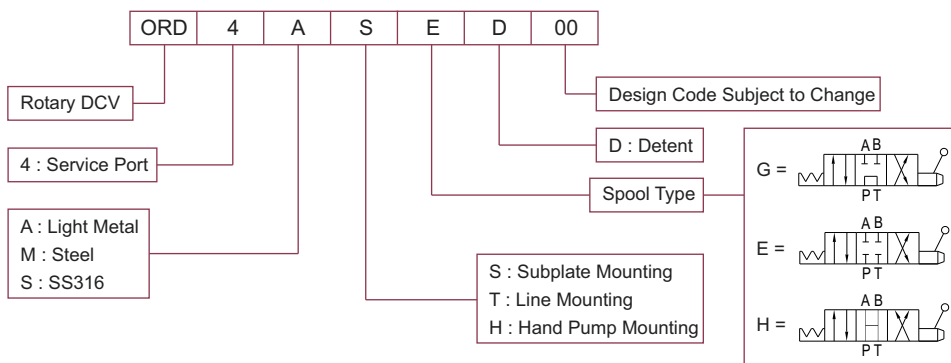


Adaptors

Adaptor	End Connection	Pressure
OHA - Hose Adaptor	0105 - 1/4" BSP (M) x 3/8" BSP (M)	-
	0705 - 3/8" NPT (M) x 3/8" BSP (M)	
	0101 - 1/4" BSP (M) x 1/4" BSP (M)	
	0505 - 3/8" BSP (M) x 3/8" BSP (M)	
	0101 - 1/4" BSP (M) x 1/4" BSP (M)	
OA - Adaptor	0307 - 1/4" NPT (M) x 3/8" NPT (M)	-
	0707 - 3/8" NPT (M) x 3/8" NPT (M)	



Aluminium Rotary Directional Control Valves



• Specifications are subject to change due to continual improvement.

Accessories

Working Pressure 700 bar

Distributor Blocks

Distributor Block	Oil Distribution	Type	End Connections
OD	12 - 1 inlet x 2 outlets	H - Hex	08 - 3/8" NPT (F)
	13 - 1 inlet x 3 outlets		
	15 - 1 inlet x 5 outlets		
	12 - 1 inlet x 2 outlets	P - Plain	
	14 - 1 inlet x 4 outlets		
	12 - 1 inlet x 2 outlets	S - Shut off Valves	
	14 - 1 inlet x 4 outlets		
	15 - 1 inlet x 5 outlets		
	16 - 1 inlet x 6 outlets		
24 - 2 inlets x 4 outlets			



OD12H08

OD13H08

OD15H08



OD12P08

OD14P08



OD12S08

OD14S08

OD15S08

OD16S08

Control Valves

Type	End Connection
OSV - Line mounted shut off valve	0708 - 3/8" NPT (M) x 3/8" NPT (F) 0404 - 1/4" NPT (F) x 1/4" NPT (F)
ONVS - Sub-plate mounted needle valve	C3 - Cetop 3
OLHV - Load holding valve	08 - 3/8" NPT (F)
ORR - Return line relief valve	03 - 1/4" NPT (M)



OSV0708

OSV0404

ONVSC3

OLHV08

ORR03

- Specifications are subject to change due to continual improvement.

Accessories

Working Pressure 700 bar

Quick Disconnect Couplers

Quick Coupler	Connection	Caps	Pressure
OQC	0708 - 3/8" NPT (M) x 3/8" NPT (F) Complete set	DC - Dust Caps	-
	07F - 3/8" NPT (M) Female half		
	08M - 3/8" NPT (F) Male half		
	0202 - 1/4" BSP (F) x 1/4" BSP (F) Complete set		15 - 1500 bar
	02F - 1/4" BSP (F) Female half		
	02M - 1/4" BSP (F) Male half		



Male
OQC08MDC



Female
OQC07FDC



Complete Set
OQC0708DC



Complete Set
OQC0202DC15

High Pressure Hydraulic Hoses

Hose pipe	Material	Colour	Pressure	End connection	Safety factor	Guard	Length
OH	T - Thermoplastic	R - Red B - Blue	07 - 700 bar	01 - 1/4" BSP FSN 06 - 3/8" BSP FSN 03 - 1/4" NPT (M) 07 - 3/8" NPT (M)	1 - 2:1 2 - 4:1	F - Full spring S - Short spring Omit - Without spring	Specify in meters
	R - Rubber	-		1 - 2:1			



OHTR07011



OHTB07011



OHTR07031



OHTB07031



OHR07011F



OHR07011S

Thermoplastic Hoses



OHR07011F

OHR07031F

Rubber Hoses



OHU18023P

Polyamide Hose

Hose pipe	Material	Pressure	End connection	Safety factor	Sheath	Length
OH	U - Polyamide	18 - 1800 bar	02 - 1/4" BSP FSN	3 - 2.5:1	P - Polyurethane	Specify in meters

Note: Consider oil volume of 100 cc per meter of 3/8" and 50 cc for 1/4" hose with cylinder volume, when selecting pumping unit

- Specifications are subject to change due to continual improvement.