

# OPJE/OPJA

## Portable High Tonnage Jacks

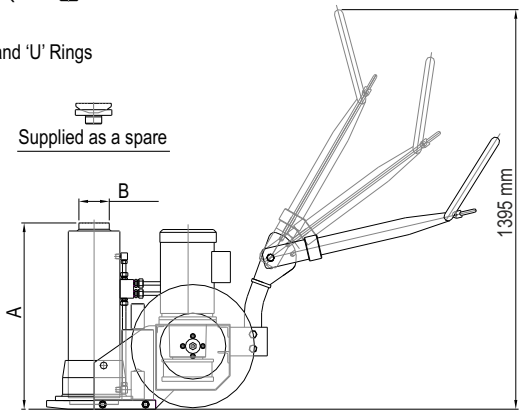
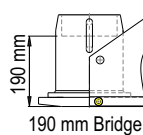
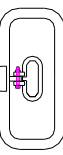
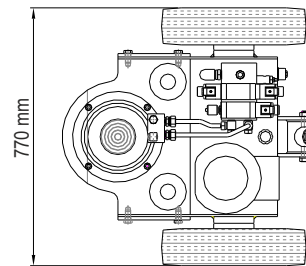
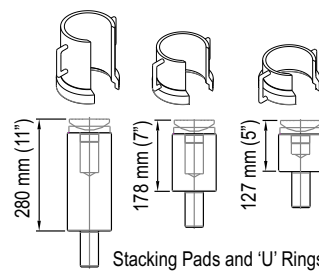


Capacity 30 - 200 ton | Stroke 200 - 680 mm | Max. Working Pressure 700 bar



### Features / Application

- Compact & Portable, Steel Alloy Construction
- Extension pieces / Bridges provided for additional reach
- Electric / Pneumatic Motor (optional)
- Manual / Remote Pendant Control valve (optional)
- Suitable for lifting & maintenance of heavy earth moving Equipment, Dumpers, heavy structures & Locomotives



OPJE Series - O Orione P Portable high tonnage J Jack E Electric 30 Capacity - ton 200 Stroke - mm  
 OPJA Series - O Orione P Portable high tonnage J Jack A Air 60 Capacity - ton 350 Stroke - mm

Rated capacity (ton)	Capacity @ 700 bar (kN)	Stroke (mm)	Model	A Min. Height (mm)	B Saddle dia. (mm)	Motor	Weight (kg)	Max. Height Using Optional Extension		
								Stacking pads and 'U' Rings (mm)	Bridge	
									190 mm	490 mm
30	309	200	OPJE 30-200	395	53	Electric	110.6	-	-	-
60	792	350	OPJA 60-350	560	87	Air	177.3	1145	710	1010
60	792	680	OPJA 60-680	890	87	Air	272.7	1475	1040	1340
60	792	350	OPJE 60-350	560	87	Electric	177.3	1145	710	1010
60	792	680	OPJE 60-680	890	87	Electric	272.7	1475	1040	1340
100	1077	400	OPJA 100-400	600	106	Air	231.8	1007	750	1050
100	1077	680	OPJA 100-680	900	106	Air	272.7	1307	1050	1350
100	1077	400	OPJE 100-400	600	106	Electric	231.8	1007	750	1050
100	1077	680	OPJE 100-680	900	106	Electric	272.7	1307	1050	1350
150	1589	400	OPJA 150-400	610	136	Air	259.1	1017	760	1060
150	1589	680	OPJA 150-680	905	136	Air	321.8	1312	1055	1355
150	1589	400	OPJE 150-400	610	136	Electric	259.7	1017	760	1060
150	1589	680	OPJE 150-680	905	136	Electric	321.8	1312	1055	1355
200	2199	400	OPJA 200-400	635	146	Air	290.9	On Request	785	1085
200	2199	680	OPJA 200-680	935	146	Air	375.0	On Request	1085	1385

- Higher capacity and customized solutions on request. • Specifications are subject to change due to continual improvement.
- Capacity and Stroke specified are maximum safe limits. As safe practice, use at 80% of rating.

## Portable High Tonnage Jacks

### Four Point Hydraulic Jacking System For Casted Girders

#### Specifications / Features

- Capacity : 75 ton
- Stroke : 250 mm
- Power Pack : 5 HP 3 phase
- Control : Hand lever
- Weight (Approx) : 530 kg
- Max. working pressure : 240 bar
- Construction : Alloy Steel
- Extension pieces / Bridges provided for additional reach



### Telescopic Portable Jack



#### Specifications

- Capacity (1<sup>st</sup> stage) : 60 ton
- Stroke (1<sup>st</sup> stage) : 280 mm
- Capacity (2<sup>nd</sup> stage) : 30 ton
- Stroke (2<sup>nd</sup> stage) : 580 mm
- Power Pack : 2 HP Single phase
- Control : Push button / Hand lever
- Weight (Approx.) : 166 kg
- Max. working pressure : 700 bar
- Construction : Light Metal



- Higher capacity and customized solutions on request. • Specifications are subject to change due to continual improvement.
- Capacity and Stroke specified are maximum safe limits. As safe practice, use at 80% of rating.