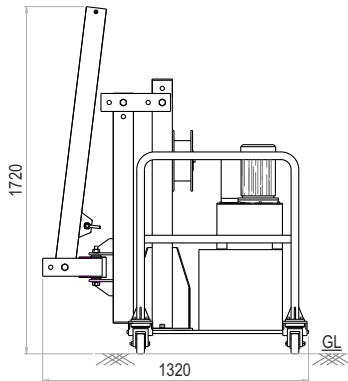
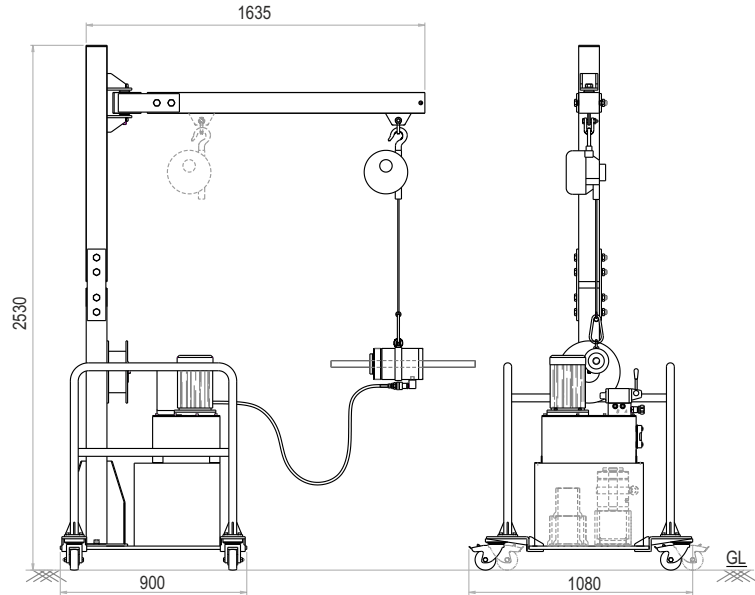


Pin & Bush Replacement Tool with Trolley (Alloy Steel Jack)

Capacity 30 - 50 ton | Stroke 50-100 mm | Max. Working Pressure 700 bar



Features / Application

- Fits of Pins & bushes in assembly line
- Maintenance of heavy duty pin joints in earth moving equipment on site / workshop
- Customised tool kits on request
- Hand pump / motorized power pack (optional)
- Also available with Aluminium Jack
- Box for storage

Tool Kit	30 ton	50 ton
Pull Rod with nuts	M33 x 1000 mm - 1 No.	M39 x 1000 mm - 1 No.
Threaded Adaptor	M24 (ext.) x M33 (int.) - 1 No. M30 (ext.) x M33 (int.) - 1 No.	M30 (ext.) x M39 (int.) - 1 No. -
'C' Sleeve	115 mm x 145 mm - 2 Nos. -	115 mm x 145 mm - 2 Nos. 175 mm x 145 mm - 2 Nos.
Locator	1 No.	1 No.

ORTT Series - 0 Orione R Bush / Pin Removal T Tool Kit T Trolley type 30 Capacity - ton 50 Stroke - mm

Model	Rated capacity (ton)	Capacity @ 700 bar (kN)	Stroke (mm)	Jack Model	Wt. Jack+Tool (Approx.) (kg)	Suitable Pumping Unit	
						Hand pump	Power pack (Optional)
ORTT 30-50	30	298	50	OSH 30-50	31	OHPA 3P4-2-1.4	OPU002075
ORTT 50-100	50	550	100	OSH 50-100	57	OHPA 3P4-2-2	OPU002075

Pumping Unit Specification

Hand Pump (Model)	Filling Capacity (liters)	Pump Stage	Pressure (bar)		Flow / Stroke (cc)	
			1 st Stage	2 nd Stage	1 st Stage	2 nd Stage
OHPA-3P4-2-1.4	1.4	Two	30	700	15	2.8
OHPA-3P4-2-2	2	Two	30	700	15	2.8

Power Pack (Model)	Pump Stage	Motor (HP / Phase)	Filling Capacity (liters)	Pump Flow (l / min)	Working Pressure (bar)	Operation
OPU002075	Single	2 / Single	20	1	700	Manual (Directional Valve)

- Higher capacity and customized solutions on request.
- Specifications are subject to change due to continual improvement.
- Capacity and Stroke specified are maximum safe limits. As safe practice, use at 80% of rating.