

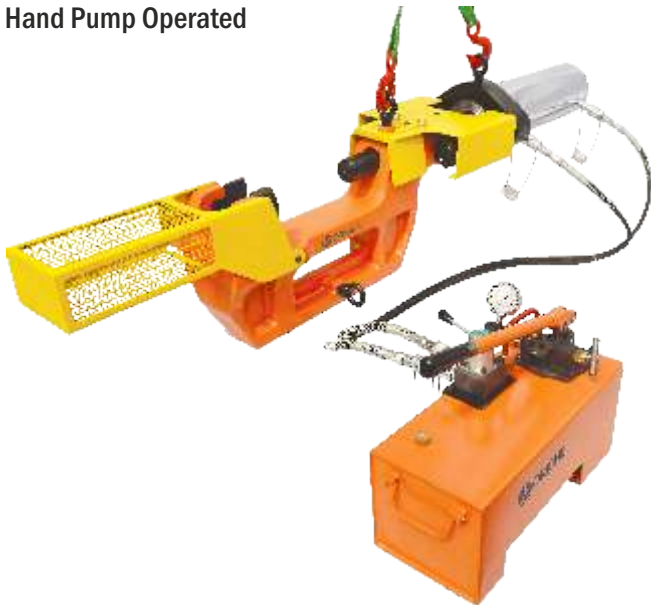
OTPP



Track Link Pin Presses - 'C' Frame type (Removal / Installation)

Capacity 50, 100 & 200 ton | Stroke 250 - 350 mm

Hand Pump Operated



Features / Application

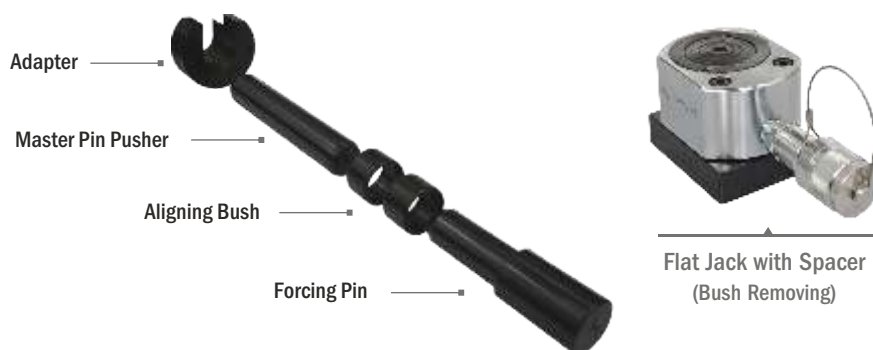
- Removal & Installation of Track Link Pins & Bushes
- Maintenance of track chains in workshops & on sites
- Choice of toolings to suit range of track pins for all brands of Earth moving equipment
- Frame Construction: 50 & 100 ton - Alloy Steel Casting
200 ton - Steel Fabricated
- Hand pump / Power Pack Unit operated
- Sprocket puller optional for OTTP 100-350
- Guard for safe operation
- Box for storage



Power Pack Operated



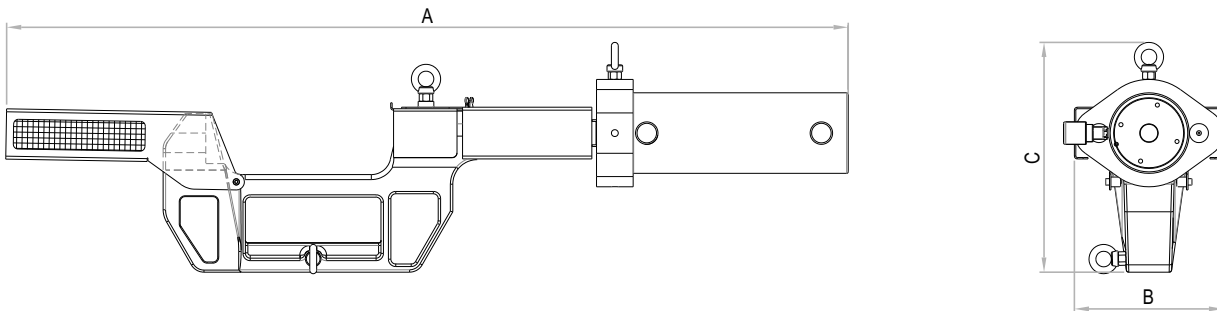
Toolings



- Higher capacity and customized solutions on request.
- Specifications are subject to change due to continual improvement.
- Capacity and Stroke specified are maximum safe limits. As safe practice, use at 80% of rating.

Track Link Pin Presses - 'C' Frame type (Removal / Installation)

Capacity 50, 100 & 200 ton | Stroke 250 - 350 mm



OTPP Series - O Orione T Track link P Pin P Pusher 50 Capacity - ton 250 Stroke - mm

Rated capacity (ton)	Capacity @ 700 bar (kN)	Stroke (mm)	Model	A Overall Length (mm)	B Width (mm)	C Height (mm)	Wt. (Approx.) (kg)	Pin dimensions		Suitable Pumping Unit	
								Min. dia. (mm)	Max. dia. (mm)	Hand pump	Power pack (Optional)
50	496	250	OTPP 50-250	1360	270	330	127	19.3	36.4	OHP 2P4-2-8-E	OPU002053 / OPU002061
100	923	350	OTPP 100-350	1750	305	430	213	19.3	60.2	OHP 2P4-2-13-E	OPU002053 / OPU002061
200	1947	350	OTPP 200-350	2245	450	615	630	36.4	74	OHP 2P4-2-20-E	OPU002053 / OPU002061

Pumping Unit Specification

Hand pump Model	Filling capacity (liters)	Pump stage	Pressure (bar)		Flow / stroke (cc)		Operation	Wt. (Approx.) (kg)
			1 st Stage	2 nd Stage	1 st Stage	2 nd Stage		
OHP-2P4-2-8-E	8	Two	30	700	49	2.8	Manual (Rotary DCV)	24
OHP-2P4-2-13-E	13	Two	30	700	49	2.8	Manual (Rotary DCV)	27

Power Pack Model	Pump Stage	Motor (HP / Phase)	Filling capacity (liters)	Pump Flow (l / min)	Working Pressure (bar)	Operation	Wt. (Approx.) (kg)
OPU002053	Single	2 / Single	20	1	650	Manual (Rotary DCV)	94
OPU002061	Single	2 / Three	20	1	650	Manual (Rotary DCV)	94

Note: Single Phase - 110 / 230 VAC, 50 Hz ; Three Phase - 415 VAC, 50 Hz

- Higher capacity and customized solutions on request. • Specifications are subject to change due to continual improvement.
- Capacity and Stroke specified are maximum safe limits. As safe practice, use at 80% of rating.