

General Purpose Jacks - Threaded Ram with Safety Lock Nut, Single Acting (Type - Spring Return)

Capacity 10 - 400 ton | Stroke 150 mm | Max. Working Pressure 700 bar

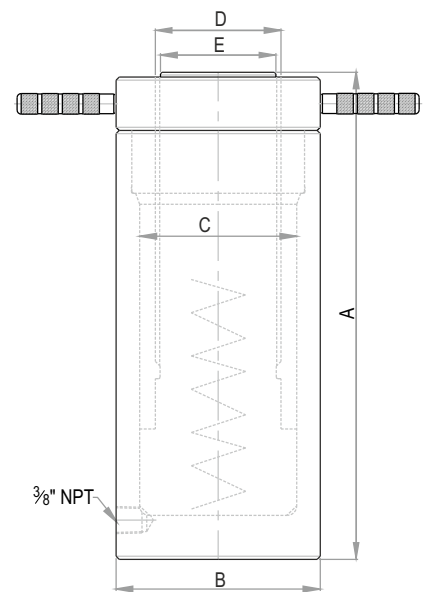


Features / Application

- General application jacks
- Refer **Page 6** for Anatomy
- Gland Nut designed to withstand dead end load
- Ideally suited for application requiring sustained load holding in Construction projects & heavy industries



Customised



OST Series - O Orione S Single acting Spring return T Threaded ram 10 Capacity - ton 150 Stroke - mm

Rated capacity (ton)	Capacity @ 700 bar (kN)	Stroke (mm)	Model	Effective area (cm ²)	Oil cap. (cc)	A Closed height (mm)	B Cylinder OD (mm)	C Bore dia. (mm)	D Ram dia. (mm)	E Saddle dia. (mm)	Wt. (Approx.) (kg)
10	111	150	OST 10-150	15.9	239	245	60	45	40	34	4.5
15	167	150	OST 15-150	23.8	356	250	70	55	50	43	6.5
20	218	150	OST 20-150	31.2	468	260	80	63	55	48	9
25	270	150	OST 25-150	38.5	577	270	90	70	55	50	11.5
30	309	150	OST 30-150	44.2	663	275	100	75	60	55	15
50	550	150	OST 50-150	78.5	1178	290	130	100	80	75	27
75	792	150	OST 75-150	113.1	1696	295	155	120	95	89	39
100	1077	150	OST 100-150	153.9	2309	305	180	140	110	103	54
150	1589	150	OST 150-150	227.0	3405	325	220	170	140	133	87.5
200	2199	150	OST 200-150	314.2	4712	340	255	200	160	152	122
250	2661	150	OST 250-150	380.1	5702	350	280	220	180	170	154
300	3167	150	OST 300-150	452.4	6786	370	310	240	200	192	202
400	4008	150	OST 400-150	572.6	8588	405	350	270	220	212	283

- Higher capacity and customized solutions on request.
- Specifications are subject to change due to continual improvement.
- Capacity and Stroke specified are maximum safe limits. Use at 80% of rating as safe practice.

OSTS



General Purpose Jacks - Threaded Ram with Safety Lock Nut, Single Acting, Spherical Saddle (Type - Spring Return)

Capacity 10 - 500 ton | Stroke 150 mm | Max. Working Pressure 700 bar

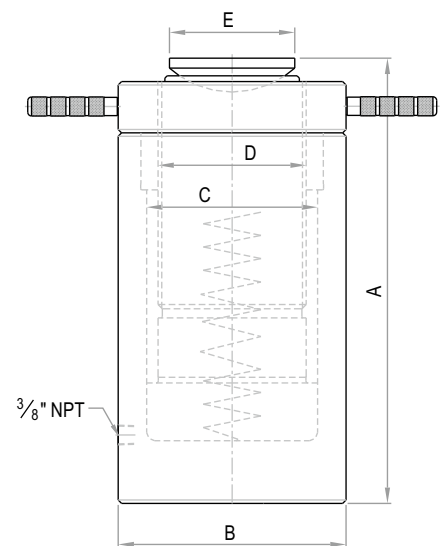


Features / Application

- General application jacks
- Refer **Page 6** for Anatomy
- Gland Nut designed to withstand dead end load
- Spherical saddle reduces damage to jack against off-center load
- Ideally suited for application requiring sustained load holding in Construction projects & heavy industries



Customised



OSTS Series - O Orione S Single acting Spring return T Threaded ram S Spherical saddle (Tilting angle 5° Max.) 10 Capacity - ton 150 Stroke - mm

Rated capacity (ton)	Capacity @ 700 bar (kN)	Stroke (mm)	Model	Effective area (cm ²)	Oil cap. (cc)	A Closed height (mm)	B Cylinder OD (mm)	C Bore dia. (mm)	D Ram dia. (mm)	E Saddle dia. (mm)	Wt. (Approx.) (kg)
10	111	150	OSTS 10-150	15.9	239	255	60	45	40	35	4.5
15	167	150	OSTS 15-150	23.8	356	265	70	55	50	43	7
20	218	150	OSTS 20-150	31.2	468	275	80	63	55	48	9.2
25	270	150	OSTS-25-150	38.5	577	285	90	70	55	48	12
30	309	150	OSTS 30-150	44.2	663	290	100	75	60	55	15.2
50	550	150	OSTS 50-150	78.5	1178	305	130	100	80	74	27.4
75	792	150	OSTS 75-150	113.1	1696	320	155	120	95	88	40
100	1077	150	OSTS 100-150	153.9	2309	325	180	140	110	100	55.5
150	1589	150	OSTS 150-150	227.0	3405	350	220	170	140	130	90
200	2199	150	OSTS 200-150	314.2	4712	365	255	200	160	150	125.5
250	2661	150	OSTS 250-150	380.1	5702	385	280	220	180	165	160
300	3167	150	OSTS 300-150	452.4	6786	405	310	240	200	180	209
400	4008	150	OSTS 400-150	572.6	8588	445	350	270	220	212	294
500	4948	150	OSTS 500-150	706.9	10603	465	400	300	250	230	405

- Higher capacity and customized solutions on request.
- Specifications are subject to change due to continual improvement.
- Capacity and Stroke specified are maximum safe limits. Use at 80% of rating as safe practice.

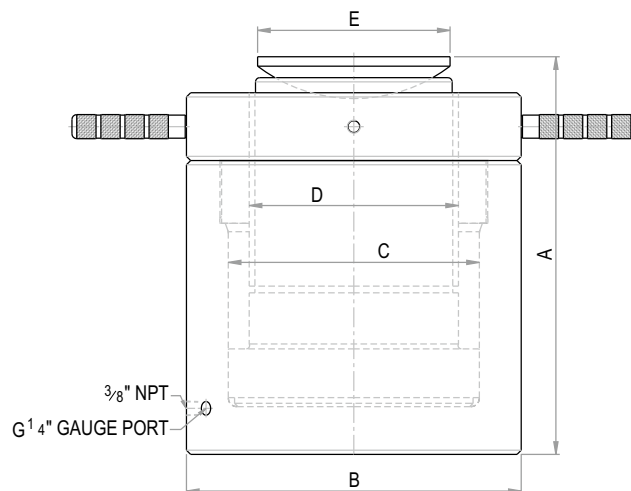
High Tonnage Jacks - Threaded Ram with Safety Lock Nut, Single Acting, Spherical Saddle (Type - Load Return)

Capacity 600 - 2000 ton | Stroke 150 mm | Max. Working Pressure 700 bar



Features / Application

- Standard multipurpose application jacks
- Refer **Page 6** for Anatomy
- Gland Nut designed to withstand dead end load
- Spherical saddle reduces damage to jack against off-center load
- Ideally suited for application requiring sustained load holding in Construction projects & heavy industries



OLTS Series - O Orione **L** Single acting **L**oad return **T**hreaded ram **S**pherical saddle (Tilting angle 5° Max.) **600** Capacity - ton **150** Stroke - mm

Rated capacity (ton)	Capacity @ 700 bar (kN)	Stroke (mm)	Model	Effective area (cm ²)	Oil cap. (cc)	A Closed height (mm)	B Cylinder OD (mm)	C Bore dia. (mm)	D Ram dia. (mm)	E Saddle dia. (mm)	Wt. (Approx.) (kg)
600	5987	150	OLTS 600-150	855.3	12829	495	430	330	275	260	501
800	7939	150	OLTS 800-150	1134.1	17012	535	505	380	310	290	739
1000	9930	150	OLTS 1000-150	1418.6	21279	570	560	425	350	330	990
1500	15154	150	OLTS 1500-150	2164.8	32472	660	705	525	450	400	1835
2000	20458	150	OLTS 2000-150	2922.5	43837	750	810	610	525	495	2713

- Higher capacity and customized solutions on request.
- Specifications are subject to change due to continual improvement.
- Capacity and Stroke specified are maximum safe limits. Use at 80% of rating as safe practice.