

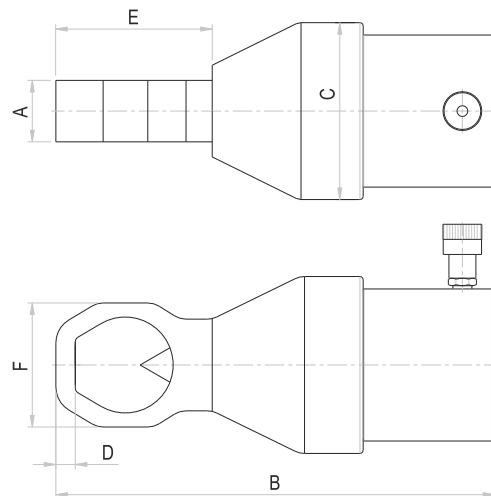
Nut Splitters - Straight Head, Single Acting

Range M10 - M90 | Max. Working Pressure 700 bar



Features / Application

- Designed to safely split seized / corroded nuts upto 44 HRC without damaging the bolt / stud by controlling the chisel movement
- Compact & straight head design with spring return piston
- Worn out chisel can be re-sharpened or replaced
- Useful where hot work is prohibited



ONSS Series - 0 Orione N Nut S Splitter S Straight head 1636 Nut across flat

Model	Stud diameter		Nut A/F		A (mm)	B (mm)	C (mm)	D (mm)	E (mm)	F (mm)	Wt. (Approx) (kg)	Suitable hand pump
	(mm)	(inch)	(mm)	(inch)								
ONSS-1636	M10-M24	3/8" - 7/8"	16-36	11/16" - 1 7/16"	38	271	105	10	92	66	11	OHPA 3P4-2-1.4
ONSS-3651	M24-M33	7/8" - 1 1/4"	36-51	1 7/16" - 2"	38	287	108	13	109	86	12	OHPA 3P4-2-1.4
ONSS-4660	M30-M39	1 1/8" - 1 1/2"	46-60	1 13/16" - 2 3/8"	57	386	164	15	125	102	35	OHPA 3P4-2-1.4
ONSS-5570	M36-M45	1 3/8" - 1 3/4"	55-70	2 3/16" - 2 3/4"	57	407	164	18	145	115	36	OHPA 3P4-2-1.4
ONSS-7090	M45-M60	1 3/4" - 2 1/4"	70-90	2 3/4" - 3 1/2"	78	465	214	22	154	146	78	OHPA 3P4-2-2
ONSS-80100	M52-M68	2" - 2 1/2"	80-100	3 1/8" - 3 7/8"	80	487	214	22	162	160	79	OHPA 3P4-2-2
ONSS-95108	M64-M72	2 1/2" - 2 3/4"	95-108	3 7/8" - 4 1/4"	95	579	250	29	185	192	123	OHPA 3P4-2-3
ONSS-105127	M72-M80	2 3/4" - 3 1/4"	105-115	4 1/4" - 5"	105	590	250	29	185	229	135	OHPA 3P4-2-3
ONSS-115136	M80-M90	3 1/4" - 3 1/2"	115-130	5" - 5 3/8"	105	601	250	33	198	238	138	OHPA 3P4-2-3

- Higher capacity and customized solutions on request.
- Specifications are subject to change due to continual improvement.

ONSS-D



Nut Splitters

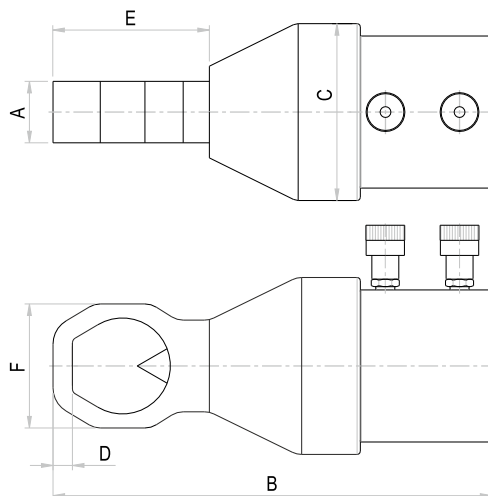
- Straight Head, Double Acting

Range M10 - M90 | Max. Working Pressure 700 bar



Features / Application

- Designed to safely split seized / corroded nuts upto 44 HRC without damaging the bolt / stud by controlling the chisel movement
- Compact & straight head design with oil return piston
- Worn out chisel can be re-sharpened or replaced
- Useful where hot work is prohibited
- Fast retraction of chisel



ONSS-D Series - O Orione N Nut S Splitter S Straight head 1636 Nut across flat D Double Acting

Model	Stud diameter		Nut A/F		A (mm)	B (mm)	C (mm)	D (mm)	E (mm)	F (mm)	Wt. (Approx) (kg)	Suitable hand pump
	(mm)	(inch)	(mm)	(inch)								
ONSS-1636D	M10-M24	3/8" - 7/8"	16-36	1 1/16" - 1 7/16"	38	296	105	10	92	66	12	OHPA 3P4-2-1.4-E
ONSS-3651D	M24-M33	7/8" - 1 1/4"	36-51	1 7/16" - 2"	38	312	108	13	109	86	13	OHPA 3P4-2-1.4-E
ONSS-4660D	M30-M39	1 1/8" - 1 1/2"	46-60	1 13/16" - 2 3/8"	57	406	164	15	125	102	36	OHPA 3P4-2-1.4-E
ONSS-5570D	M36-M45	1 3/8" - 1 3/4"	55-70	2 3/16" - 2 3/4"	57	427	164	18	145	115	37	OHPA 3P4-2-1.4-E
ONSS-7090D	M45-M60	1 3/4" - 2 1/4"	70-90	2 3/4" - 3 1/2"	78	490	214	22	154	146	82	OHPA 3P4-2-2-E
ONSS-80100D	M52-M68	2" - 2 1/2"	80-100	3 1/8" - 3 7/8"	80	512	214	22	162	160	83	OHPA 3P4-2-2-E
ONSS-95108D	M64-M72	2 1/2" - 2 3/4"	95-108	3 7/8" - 4 1/4"	95	563	250	29	185	192	123	OHPA 3P4-2-3-E
ONSS-105127D	M72-M80	2 3/4" - 3 1/4"	105-115	4 1/4" - 5"	105	574	250	29	185	229	135	OHPA 3P4-2-3-E
ONSS-115136D	M80-M90	3 1/4" - 3 1/2"	115-130	5" - 5 3/8"	105	582	250	33	198	238	138	OHPA 3P4-2-3-E

- Higher capacity and customized solutions on request.
- Specifications are subject to change due to continual improvement.