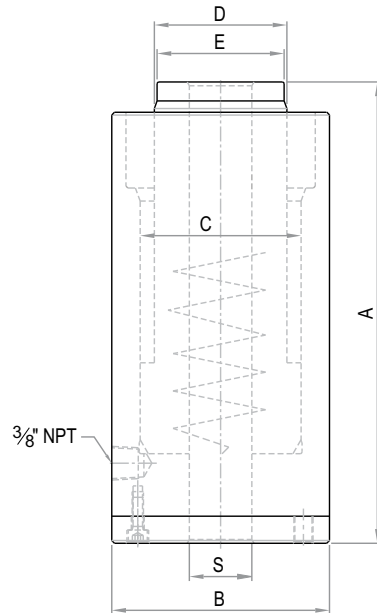


Aluminium Hollow Ram Jacks - Plain Ram, Single Acting (Type - Spring Return)

Capacity 30 - 100 ton | Stroke 75 - 150 mm | Max. Working Pressure 700 bar



Features / Application

- 50% lighter weight than a steel jack
- 5000 duty cycles
- As hydraulic puller with mechanical fixtures
- Removal & assembly of pins, bushes, bearings, sprockets, gears & general maintenance
- Threaded stud & saddle optional
- Anchorage / Re-bar Testing



Caution

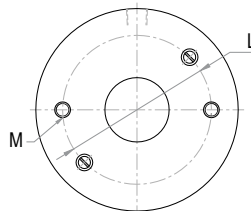
Aluminium jacks have lower fatigue life due to material properties & should NOT be used in high cycle application.

OASH Series - O Orione A Aluminium S Single acting Spring return H Hollow ram 30 Capacity - ton 75 Stroke - mm

Rated capacity (ton)	Capacity @ 700 bar (kN)	Stroke (mm)	Model	Effective area (cm ²)	Oil cap. (cc)	A Closed height (mm)	B Cylinder OD (mm)	C Bore dia. (mm)	S C'hole dia. (mm)	D Ram dia. (mm)	E Saddle dia. (mm)	Wt. (Approx.) (kg)
30	352	75	OASH 30-75	50.3	377	235	130	100	33	80	78	11
30	352	100	OASH 30-100	50.3	503	260	130	100	33	80	78	12
30	352	150	OASH 30-150	50.3	754	310	130	100	33	80	78	13.5
50	550	75	OASH 50-75	78.5	589	250	165	125	42	100	97	15.5
50	550	100	OASH 50-100	78.5	785	275	165	125	42	100	97	17
50	550	150	OASH 50-150	78.5	1178	325	165	125	42	100	97	19.5
60	632	75	OASH 60-75	90.3	677	260	190	140	54	120	117	21
60	632	100	OASH 60-100	90.3	903	285	190	140	54	120	117	23
60	632	150	OASH 60-150	90.3	1355	335	190	140	54	120	117	26
100	1090	75	OASH 100-75	155.7	1168	285	245	185	77	150	146	38
100	1090	100	OASH 100-100	155.7	1557	310	245	185	77	150	146	41
100	1090	150	OASH 100-150	155.7	2336	360	245	185	77	150	146	46

Mounting Details (Optional) :

Model	L PCD x No. of holes	M Bottom thread size	Thread depth (mm)
OASH 30	90x2	M10	17
OASH 50	125x2	M12	20
OASH 60	135x2	M12	20
OASH 100	180x2	M16	24



- Higher capacity and customized solutions on request.
- Specifications are subject to change due to continual improvement.
- Capacity and Stroke specified are maximum safe limits. Use at 80% of rating as safe practice.



Select suitable Pumping Units and Accessories

Pg. 44 - 49