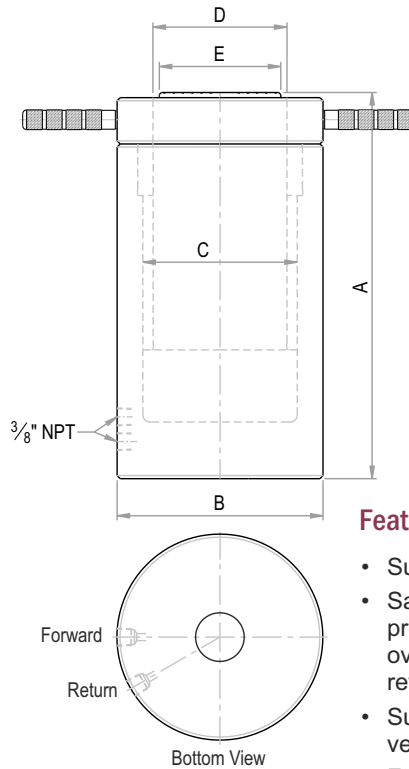


Special Application Jacks - Threaded Ram with Safety Lock Nut, Double Acting (Type - Oil Return)

Capacity 50 - 400 ton | Stroke 150 - 300 mm | Max. Working Pressure 700 bar



Customised



Features / Application

- Suits heavy lifting & pushing applications
- Safety Pressure Relief valve in return port prevents damage, in case of accidental over-pressurization due to blockage in return line
- Sustained load holding with lock nut in vertical & horizontal direction
- Fast & complete ram retraction
- Suited for Construction & Heavy industries

ODT Series - O Orione D Double acting Oil return T Threaded ram 50 Capacity - ton 150 Stroke - mm

Rated capacity (ton)	Capacity @ 700 bar (kN)	Stroke (mm)	Model	Effective area (cm ²)	Oil cap. (cc)	A Closed height (mm)	B Cylinder OD (mm)	C Bore dia. (mm)	D Ram dia. (mm)	E Saddle dia. (mm)	Wt. (Approx.) (kg)
50	535	150	ODT 50-150	76.4	1146	325	140	105	85	79	35
50	535	300	ODT 50-300	76.4	2293	475	140	105	85	79	48
100	1126	150	ODT 100-150	160.8	2412	350	195	150	125	115	76.5
100	1126	300	ODT 100-300	160.8	4825	500	195	150	125	115	102
150	1644	150	ODT 150-150	234.8	3524	380	235	180	140	132	110.5
150	1644	300	ODT 150-300	234.8	7045	530	235	180	140	132	146
200	2227	150	ODT 200-150	318.1	4772	400	270	210	170	160	159.5
200	2227	300	ODT 200-300	318.1	9543	550	270	210	170	160	202
250	2639	150	ODT 250-150	377.0	5655	400	300	230	180	170	197.5
250	2639	300	ODT 250-300	377.0	11310	550	300	230	180	170	250
300	3223	150	ODT 300-150	460.4	6907	410	330	255	205	195	248.5
300	3223	300	ODT 300-300	460.4	13814	560	330	255	205	195	315.5
400	4502	150	ODT 400-150	643.2	9650	435	385	300	250	235	357.5
400	4502	300	ODT 400-300	643.2	19298	585	385	300	250	235	458

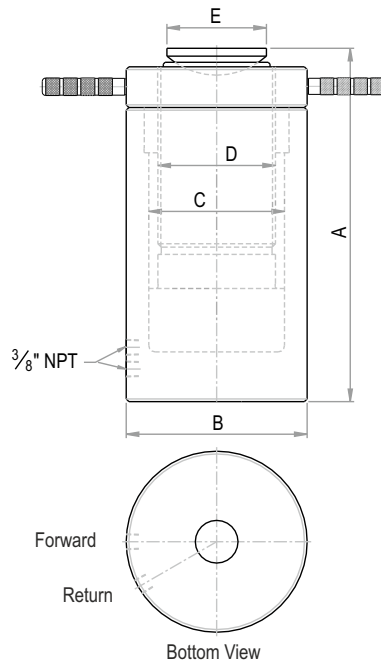
- Higher capacity and customized solutions on request.
- Specifications are subject to change due to continual improvement.
- Capacity and Stroke specified are maximum safe limits. Use at 80% of rating as safe practice.

ODTS



Special Application Jacks - Threaded Ram with Safety Lock Nut, Double Acting, Spherical Saddle (Type - Oil Return)

Capacity 50 - 1000 ton | Stroke 150 - 300 mm | Max. Working Pressure 700 bar



Features / Application

- Suits heavy lifting & push-pull applications
- Safety Pressure Relief valve in return port prevents damage, in case of accidental over-pressurization due to blockage in return line
- Spherical saddle reduces damage to jack against off-center load
- Sustained load holding with lock nut in vertical & horizontal direction
- Fast & complete ram retraction
- Suited for Construction & Heavy industries

ODTS Series - O Orione D Double acting Oil return T Threaded ram S Spherical saddle (Tilting angle 5° Max.) 50 Capacity - ton 150 Stroke - mm

Rated capacity (ton)	Capacity @ 700 bar (kN)	Stroke (mm)	Model	Effective area (cm ²)	Oil cap. (cc)	A Closed height (mm)	B Cylinder OD (mm)	C Bore dia. (mm)	D Ram dia. (mm)	E Saddle dia. (mm)	Wt. (Approx.) (kg)
50	535	150	ODTS 50-150	76.4	1146	340	140	105	85	74	36
50	535	300	ODTS 50-300	76.4	2293	490	140	105	85	74	49
100	1126	150	ODTS 100-150	160.8	2412	365	195	150	125	100	79.5
100	1126	300	ODTS 100-300	160.8	4825	515	195	150	125	100	105
150	1644	150	ODTS 150-150	234.8	3524	400	235	180	140	130	113.5
150	1644	300	ODTS 150-300	234.8	7045	550	235	180	140	130	148
200	2227	150	ODTS 200-150	318.1	4772	420	270	210	170	150	167.5
200	2227	300	ODTS 200-300	318.1	9543	570	270	210	170	150	204.5
250	2639	150	ODTS 250-150	377.0	5655	425	300	230	180	165	210.5
250	2639	300	ODTS 250-300	377.0	11310	575	300	230	180	165	253.5
300	3223	150	ODTS 300-150	460.4	6907	440	330	255	205	180	265.5
300	3223	300	ODTS 300-300	460.4	13814	590	330	255	205	180	320.5
400	4502	150	ODTS 400-150	643.2	9650	470	385	300	250	212	389.5
400	4502	300	ODTS 400-300	643.2	19298	620	385	300	250	212	464
500	5438	150	ODTS 500-150	776.8	11652	485	430	330	270	230	491
500	5438	300	ODTS 500-300	776.8	23303	635	430	330	270	230	592
600	6460	150	ODTS 600-150	922.8	13842	510	470	360	300	260	625
600	6460	300	ODTS 600-300	922.8	27685	660	470	360	300	260	703
800	8576	150	ODTS 800-150	1225.2	18380	550	540	410	340	290	975
800	8576	300	ODTS 800-300	1225.2	36756	700	540	410	340	290	1048
1000	10842	150	ODTS 1000-150	1548.8	23235	585	600	460	380	330	1160
1000	10842	300	ODTS 1000-300	1548.8	46464	735	600	460	380	330	1354

- Higher capacity and customized solutions on request.
- Specifications are subject to change due to continual improvement.
- Capacity and Stroke specified are maximum safe limits. Use at 80% of rating as safe practice.