

General Purpose Jacks - Plain Ram, Single Acting (Type - Spring Return)

Capacity 5 - 400 ton | Stroke 50 - 200 mm | Max. Working Pressure 700 bar

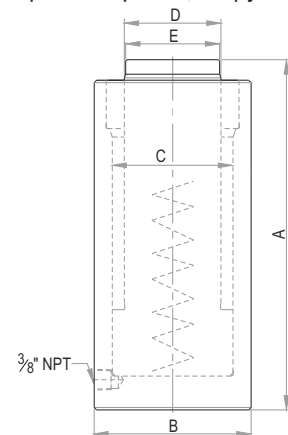


Features / Application

- Multipurpose jacks
- Refer **Page 6** for Anatomy
- Gland Nut designed to withstand dead end load
- Base mounting holes & collar threads are optional
- Used in horizontal & vertical directions
- Maintenance, fabrication, construction, Heavy industries, power & process plants, shipyards

Special Feature

Spring assisted ram retraction up to 500 ton



OSP Series - O Orione S Single acting Spring return P Plain ram 5 Capacity - ton 50 Stroke - mm

| Rated capacity (ton) | Capacity @ 700 bar (kN) | Stroke (mm) | Model | Effective area (cm ²) | Oil cap. (cc) | A Closed height (mm) | B Cylinder OD (mm) | C Bore dia. (mm) | D Ram dia. (mm) | E Saddle dia. (mm) | Wt. (Approx.) (kg) |
|----------------------|-------------------------|-------------|------------|-----------------------------------|---------------|----------------------|--------------------|------------------|-----------------|--------------------|--------------------|
| 5 | 56 | 50 | OSP 5-50 | 8.0 | 40 | 135 | 45 | 32 | 25 | 25 | 1.5 |
| 5 | 56 | 100 | OSP 5-100 | 8.0 | 80 | 185 | 45 | 32 | 25 | 25 | 1.9 |
| 5 | 56 | 150 | OSP 5-150 | 8.0 | 121 | 235 | 45 | 32 | 25 | 25 | 2.4 |
| 10 | 111 | 50 | OSP 10-50 | 15.9 | 80 | 135 | 60 | 45 | 35 | 35 | 2.5 |
| 10 | 111 | 100 | OSP 10-100 | 15.9 | 159 | 185 | 60 | 45 | 35 | 35 | 3.2 |
| 10 | 111 | 150 | OSP 10-150 | 15.9 | 239 | 235 | 60 | 45 | 35 | 35 | 4 |
| 10 | 111 | 200 | OSP 10-200 | 15.9 | 318 | 285 | 60 | 45 | 35 | 35 | 4.8 |
| 15 | 167 | 50 | OSP 15-50 | 23.8 | 119 | 140 | 70 | 55 | 45 | 43 | 4.1 |
| 15 | 167 | 100 | OSP 15-100 | 23.8 | 238 | 190 | 70 | 55 | 45 | 43 | 5.2 |
| 15 | 167 | 150 | OSP 15-150 | 23.8 | 356 | 240 | 70 | 55 | 45 | 43 | 6.3 |
| 15 | 167 | 200 | OSP 15-200 | 23.8 | 475 | 290 | 70 | 55 | 45 | 43 | 7.4 |
| 20 | 218 | 50 | OSP 20-50 | 31.2 | 156 | 145 | 80 | 63 | 50 | 48 | 5.3 |
| 20 | 218 | 100 | OSP 20-100 | 31.2 | 312 | 195 | 80 | 63 | 50 | 48 | 6.7 |
| 20 | 218 | 150 | OSP 20-150 | 31.2 | 468 | 245 | 80 | 63 | 50 | 48 | 8.1 |
| 20 | 218 | 200 | OSP 20-200 | 31.2 | 623 | 295 | 80 | 63 | 50 | 48 | 9.5 |
| 25 | 270 | 50 | OSP 25-50 | 38.5 | 192 | 155 | 90 | 70 | 55 | 53 | 7.2 |
| 25 | 270 | 100 | OSP 25-100 | 38.5 | 385 | 205 | 90 | 70 | 55 | 53 | 9.0 |
| 25 | 270 | 150 | OSP 25-150 | 38.5 | 577 | 255 | 90 | 70 | 55 | 53 | 10.8 |
| 25 | 270 | 200 | OSP 25-200 | 38.5 | 770 | 305 | 90 | 70 | 55 | 53 | 12.6 |
| 30 | 309 | 50 | OSP 30-50 | 44.2 | 221 | 160 | 100 | 75 | 60 | 58 | 9 |
| 30 | 309 | 100 | OSP 30-100 | 44.2 | 442 | 210 | 100 | 75 | 60 | 58 | 11.3 |
| 30 | 309 | 150 | OSP 30-150 | 44.2 | 663 | 260 | 100 | 75 | 60 | 58 | 13.6 |
| 30 | 309 | 200 | OSP 30-200 | 44.2 | 884 | 310 | 100 | 75 | 60 | 58 | 15.8 |

- Higher capacity and customized solutions on request.
- Specifications are subject to change due to continual improvement.
- Capacity and Stroke specified are maximum safe limits. Use at 80% of rating as safe practice.

General Purpose Jacks - Plain Ram, Single Acting (Type - Spring Return)

Capacity 5 - 400 ton | Stroke 50 - 200 mm | Max. Working Pressure 700 bar

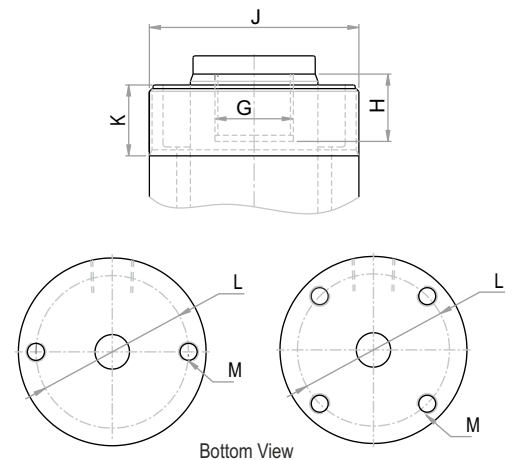
OSP Series - O Orione S Single acting Spring return P Plain ram 5 Capacity - ton 50 Stroke - mm

| Rated capacity (ton) | Capacity @ 700 bar (kN) | Stroke (mm) | Model | Effective area (cm ²) | Oil cap. (cc) | A Closed height (mm) | B Cylinder OD (mm) | C Bore dia. (mm) | D Ram dia. (mm) | E Saddle dia. (mm) | Wt. (Approx.) (kg) |
|----------------------|-------------------------|-------------|-------------|-----------------------------------|---------------|----------------------|--------------------|------------------|-----------------|--------------------|--------------------|
| 50 | 550 | 50 | OSP 50-50 | 78.5 | 393 | 175 | 130 | 100 | 80 | 78 | 16.5 |
| 50 | 550 | 100 | OSP 50-100 | 78.5 | 785 | 225 | 130 | 100 | 80 | 78 | 20.5 |
| 50 | 550 | 150 | OSP 50-150 | 78.5 | 1178 | 275 | 130 | 100 | 80 | 78 | 24.5 |
| 50 | 550 | 200 | OSP 50-200 | 78.5 | 1571 | 325 | 130 | 100 | 80 | 78 | 28.5 |
| 75 | 792 | 50 | OSP 75-50 | 113.1 | 565 | 180 | 155 | 120 | 95 | 93 | 24 |
| 75 | 792 | 100 | OSP 75-100 | 113.1 | 1131 | 230 | 155 | 120 | 95 | 93 | 29.5 |
| 75 | 792 | 150 | OSP 75-150 | 113.1 | 1696 | 280 | 155 | 120 | 95 | 93 | 35 |
| 75 | 792 | 200 | OSP 75-200 | 113.1 | 2262 | 330 | 155 | 120 | 95 | 93 | 41 |
| 100 | 1077 | 50 | OSP 100-50 | 153.9 | 770 | 185 | 180 | 140 | 110 | 108 | 33 |
| 100 | 1077 | 100 | OSP 100-100 | 153.9 | 1539 | 235 | 180 | 140 | 110 | 108 | 40.5 |
| 100 | 1077 | 150 | OSP 100-150 | 153.9 | 2309 | 285 | 180 | 140 | 110 | 108 | 48 |
| 100 | 1077 | 200 | OSP 100-200 | 153.9 | 3079 | 335 | 180 | 140 | 110 | 108 | 55.5 |
| 150 | 1589 | 50 | OSP 150-50 | 227.0 | 1135 | 200 | 220 | 170 | 140 | 138 | 54 |
| 150 | 1589 | 100 | OSP 150-100 | 227.0 | 2270 | 250 | 220 | 170 | 140 | 138 | 65.5 |
| 150 | 1589 | 150 | OSP 150-150 | 227.0 | 3405 | 300 | 220 | 170 | 140 | 138 | 77 |
| 200 | 2199 | 50 | OSP 200-50 | 314.2 | 1571 | 215 | 255 | 200 | 160 | 158 | 76 |
| 200 | 2199 | 100 | OSP 200-100 | 314.2 | 3142 | 265 | 255 | 200 | 160 | 158 | 91 |
| 200 | 2199 | 150 | OSP 200-150 | 314.2 | 4712 | 315 | 255 | 200 | 160 | 158 | 106.5 |
| 250 | 2661 | 100 | OSP 250-100 | 380.1 | 3801 | 270 | 280 | 220 | 180 | 177 | 114 |
| 250 | 2661 | 150 | OSP 250-150 | 380.1 | 5702 | 320 | 280 | 220 | 180 | 177 | 133 |
| 250 | 2661 | 200 | OSP 250-200 | 380.1 | 7603 | 370 | 280 | 220 | 180 | 177 | 152 |
| 300 | 3167 | 100 | OSP 300-100 | 452.4 | 4524 | 285 | 310 | 240 | 200 | 196 | 149 |
| 300 | 3167 | 150 | OSP 300-150 | 452.4 | 6786 | 335 | 310 | 240 | 200 | 196 | 173 |
| 300 | 3167 | 200 | OSP 300-200 | 452.4 | 9048 | 385 | 310 | 240 | 200 | 196 | 197 |
| 400 | 4008 | 100 | OSP 400-100 | 572.6 | 5726 | 315 | 350 | 270 | 220 | 216 | 209 |
| 400 | 4008 | 150 | OSP 400-150 | 572.6 | 8588 | 365 | 350 | 270 | 220 | 216 | 239 |
| 400 | 4008 | 200 | OSP 400-200 | 572.6 | 11451 | 415 | 350 | 270 | 220 | 216 | 269 |

Mounting Details (Optional):

OSPT Series - T Collar Threads with Base Mounting Holes

| Model | G Ram internal thread | H Thread depth (mm) | J Collar threads | K Length (mm) | L PCD x No. of holes | M Bottom thread size | Thread depth (mm) |
|----------|-----------------------|---------------------|------------------|---------------|----------------------|----------------------|-------------------|
| OSPT 5 | M16x2P | 15 | M45x2P | 25 | 25x2 | M6 | 12 |
| OSPT 10 | M22x2P | 17 | M60x2P | 30 | 40x2 | M8 | 12 |
| OSPT 15 | M22x2P | 20 | M70x2P | 30 | 45x2 | M8 | 12 |
| OSPT 20 | M24x2P | 25 | M80x2P | 35 | 55x2 | M8 | 12 |
| OSPT 25 | M24x2P | 25 | M90x2P | 40 | 60x2 | M10 | 16 |
| OSPT 30 | M30x2P | 25 | M100x3P | 40 | 65x2 | M10 | 16 |
| OSPT 50 | M42x2P | 25 | M130x3P | 40 | 90x2 | M10 | 16 |
| OSPT 75 | M48x2P | 25 | M155x3P | 40 | 110x2 | M10 | 16 |
| OSPT 100 | M48x2P | 25 | M180x3P | 40 | 125x4 | M12 | 16 |
| OSPT 150 | M82x2P | 25 | M220x3P | 50 | 150x4 | M16 | 18 |
| OSPT 200 | M90x2P | 25 | M255x4P | 50 | 180x4 | M16 | 22 |



- Higher capacity and customized solutions on request.
- Specifications are subject to change due to continual improvement.
- Capacity and Stroke specified are maximum safe limits. Use at 80% of rating as safe practice.